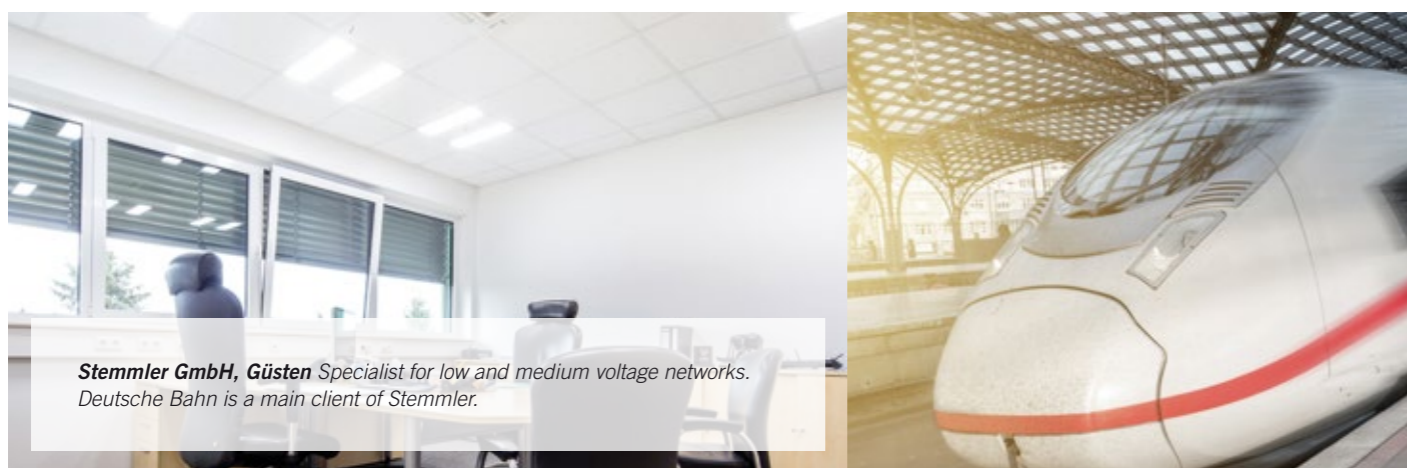
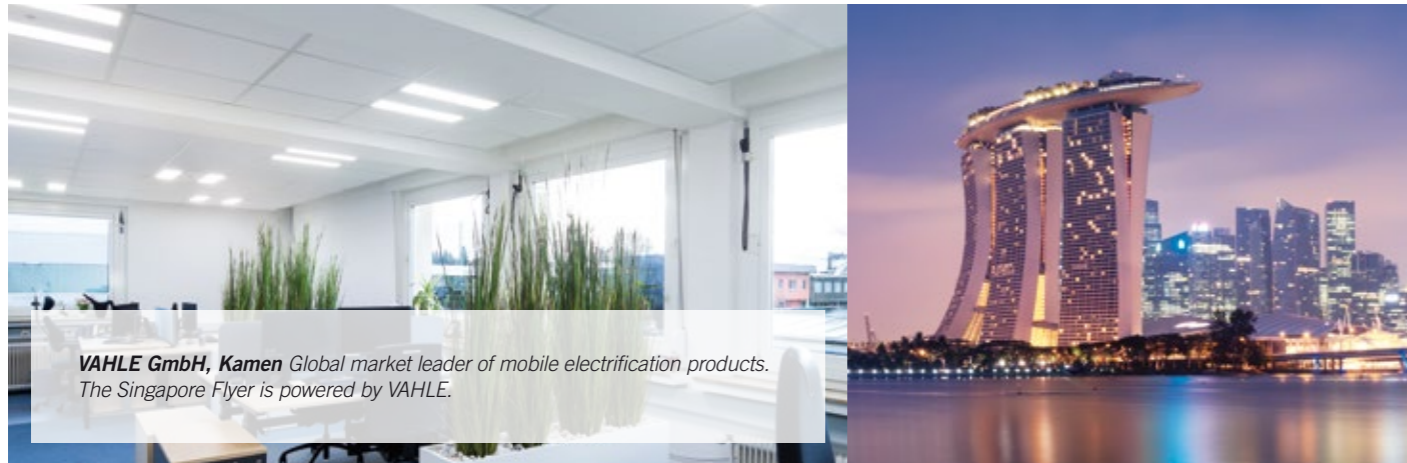


INTELLIGENT LIGHT CONTROL. **ESY!**

**ESYLUX
LIGHT CONTROL ELC
CONCEPT & FUNCTIONS**

ESYLUX LIGHT CONTROL ELC

MAKES INTELLIGENT SIMPLE



The SMARTDRIVER of the ESYLUX Light Control system contains the power supply for all system lights, enabling them to be connected to it using simple plug-and-play – likewise the sensor system. It thereby simplifies the installer's work, gives architects and investors peace of mind. Persuasive arguments for refurbishments and new constructions.

BENEFITS FOR

INSTALLERS

- Low installation effort due to plug-and-play
- Instant set-up and operation based on factory settings without programming
- Simple configuration of ELC room solutions
- High quality and reliable functionality of the components
- Fast and easy scaling and adaptation
- The ELC control unit SMARTDRIVER can be installed in a server room up to 50 m distance maximum from the luminaires

USERS AND INVESTORS

- Energy-efficient human centric lighting for increased quality of life
- Demand-driven ventilation for an optimal indoor air quality
- Easy, comfortable handling and usage
- Hassle-free set-up of individual scenes and time functions
- Modular, scalable and easy to adapt in case of changing needs
- Easy manual, individual override possible
- Lower overall costs than any of its competitors
- Increased value of the building

PLANNERS AND ARCHITECTS

- Future-proof technology ready-to-use
- Can be used in every type of building
- Simple retrofitting for existing structures
- Easy realisation of planning requirements
- Technically integrated, matching components
- Hassle-free system
- Connection to KNX building automation system possible

THE BEST WORKPLACE LIGHTING

SYMBILOGIC (LIGHT COLOUR: TUNABLE WHITE)

2700 - 6500 K

Total price with SymbiLogic (light colour: Tunable White)
incl. luminaires, presence detectors, control system and cabling
excl. VAT and installation costs

FROM 50 €/m²

430 DKK/m²
475 NOK/m²
530 SEK/m²
76 CHF/m²

SYMBILOGIC FOR ENERGY-EFFICIENT HUMAN CENTRIC LIGHTING

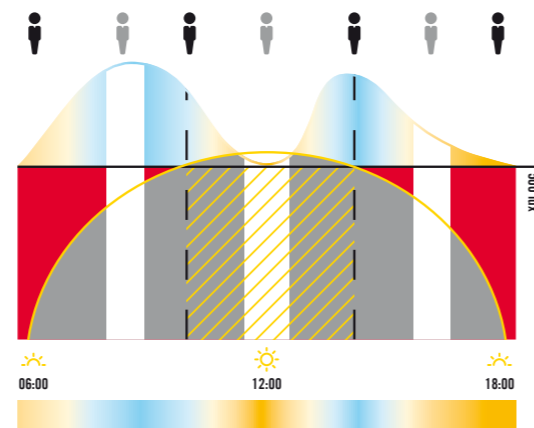
- Presence and daylight dependent adaptive HCL light control
- Plug-and-play installation
- Instant set-up and operation based on factory settings without programming

- For systems with up to 400 luminaires
- Central driver module for intelligent lighting
- Simple grouping by plug connection
- Low overall costs, maintenance-free operation
- Orientation light included (with delay time or daytime related)
- Four scenarios (factory settings or individually configured)
- Controls up to 10 groups to cover different room zones

DALI CONNECTED

- ESYLUX switching actuator SW DALI for HVAC control and other 230 V devices

CIRCADIAN CURVE FOR OFFICE APPLICATIONS



■ Proportion of artificial light
▨ Sufficient daylight
● Present
○ Absent

SymbiLogic technology from ESYLUX with presence and daylight dependent adaptive HCL light control.

Circadian curve for health care and educational applications also available.

FIXED LIGHT COLOUR

3000 K / 4000 K

Total price, fixed light colour (3000 K + 4000 K)
incl. luminaires, detectors, control system and cabling
excl. VAT and installation costs

FROM 35 €/m²

270 DKK/m²
300 NOK/m²
330 SEK/m²
47 CHF/m²

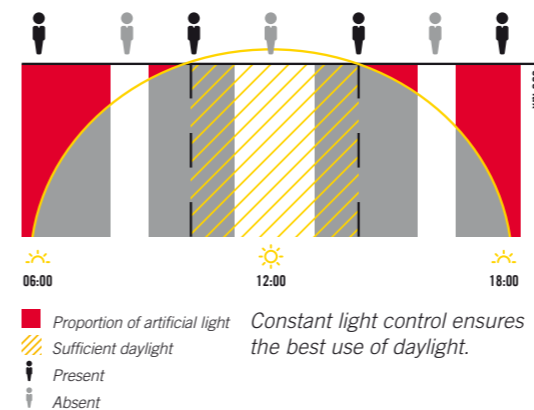
- Presence and daylight dependent constant light control
- Plug-and-play installation
- Instant set-up and operation based on factory settings without programming

- For systems with up to 800 luminaires
- Central driver module for intelligent lighting
- Simple grouping by plug connection
- Low overall costs, maintenance-free operation
- Orientation light included (with delay time or daytime related)
- Four scenarios (factory settings or individually configured)
- Controls up to 10 groups to cover different room zones

DALI CONNECTED

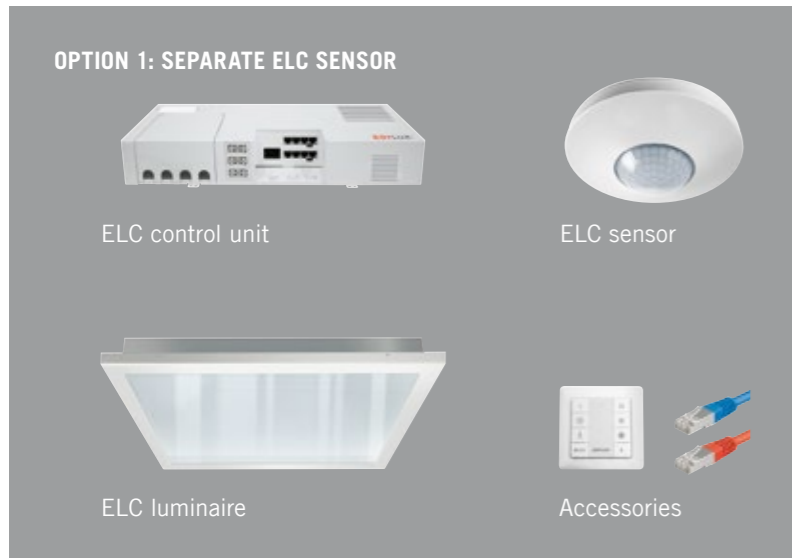
- ESYLUX downlights series ELSA, STINA, ALICIA
- Third-party DALI luminaires
- ESYLUX switching actuator SW DALI for HVAC control and other 230 V devices

PRESENCE AND DAYLIGHT DEPENDENT CONSTANT LIGHT CONTROL



■ Proportion of artificial light
▨ Sufficient daylight
● Present
○ Absent

Constant light control ensures the best use of daylight.

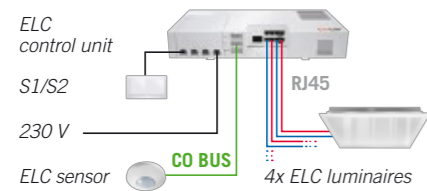


SIMPLE GROUPING

SYMBOLOGIC (LIGHT COLOUR: TUNABLE WHITE)

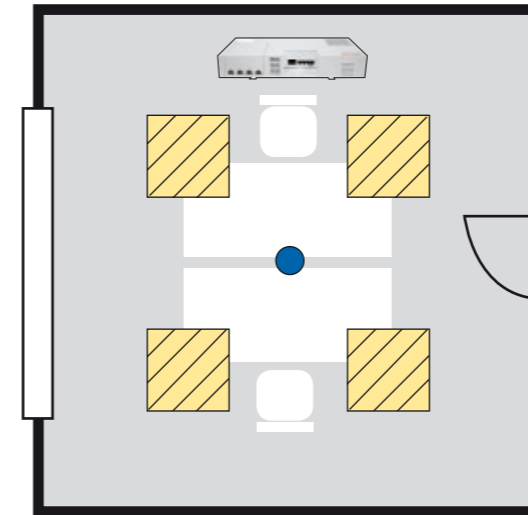
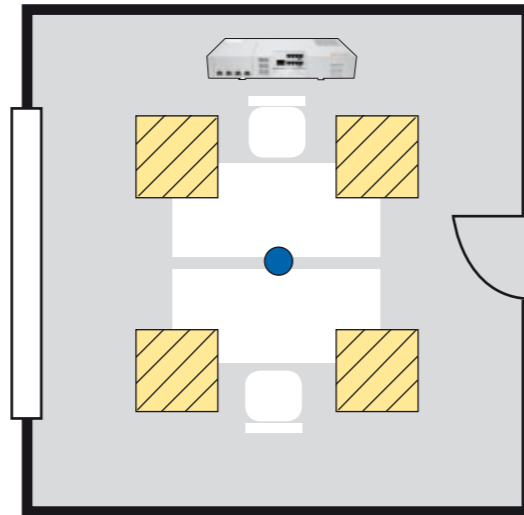
2700 - 6500 K

Office with two workplaces and energy-efficient sensor-controlled presence and daylight-dependent adaptive HCL light control (SymbiLogic). Manual override and call of 4 scenes via conventional 230 V double push buttons.



Pre-configured sets		Item no.
1x	CELINE 600 TW MILKY QUADRO SET ELC	EQ10122538
Free configuration		
1x	SMARTDRIVER x4 TW ELC	EC10430572
1x	PD-C 360i/8 ELC	EP10427602
4x	CELINE 600 30W TW MILKY ELC SATELLITE	EQ10122040
1x	Cable Set RJ45 5m TW x4	EC10431128
Accessories		
1x	230 V double push button (from any third-party)	
Optional extensions		
Downlights	ELSA 68 5W 4K MILKY ON/OFF	EO10300011
ELC push button	PUSH BUTTON x8 TW ELC	EC10430930
DALI switching actuator	SW DALI Semi Automation	EP10427480
	SW DALI Full Automation	EP10427473

SYMBI LOGIC FOR ENERGY-EFFICIENT HUMAN CENTRIC LIGHTING



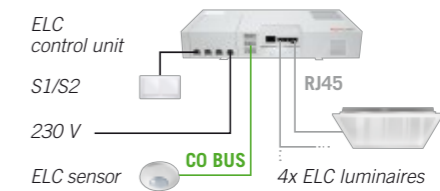
Example room 15 - 20 m²

- ELC recessed lights
- ELC sensor
- ELC control unit
- Chair
- Desk

FIXED LIGHT COLOUR

3000 K / 4000 K

Office with two workplaces and energy-efficient sensor-controlled presence and daylight-dependent constant light control. Manual override and call of 4 scenes via conventional 230 V double push buttons.



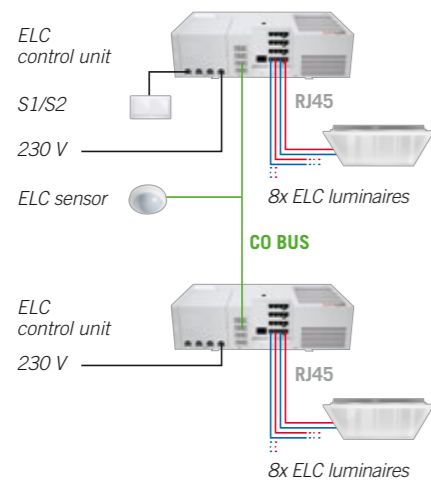
Pre-configured sets		Item no.
1x	CELINE 600 4K MILKY QUADRO SET ELC	EQ10122279
Free configuration		
1x	SMARTDRIVER x4 ELC	EC10430664
1x	PD-C 360i/8 ELC	EP10427602
4x	CELINE 600 30W 4K MILKY ELC SATELLITE	EQ10122026
1x	Cable Set RJ45 5m x4	EC10431142
Accessories		
1x	230 V double push button (from any third-party)	
Optional extensions		
Downlights	ELSA 68 5W 4K MILKY DALI	EO10300219
ELC push button	PUSH BUTTON x8 ELC	EC10430923
DALI switching actuator	SW DALI Semi Automation	EP10427480
	SW DALI Full Automation	EP10427473

SCALING OF AN ELC GROUP

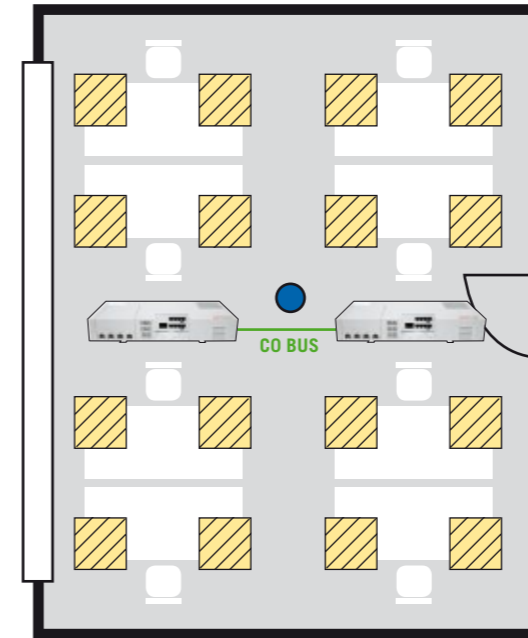
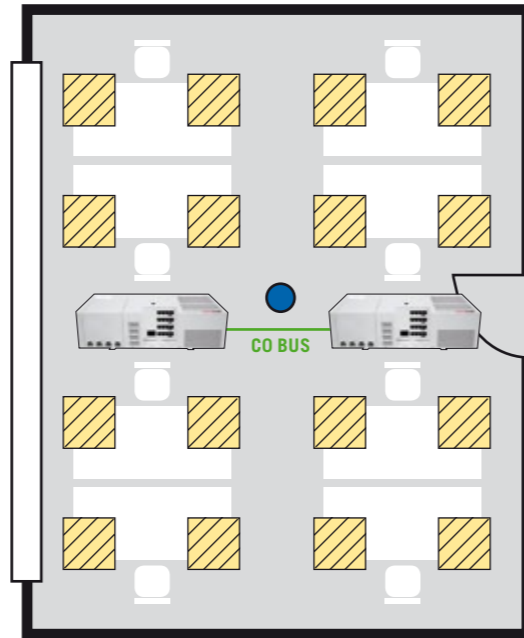
SYMBILOGIC (LIGHT COLOUR: TUNABLE WHITE)

2700 - 6500 K

Office with eight workplaces and energy-efficient sensor-controlled presence and daylight-dependent adaptive HCL light control (SymbiLogic). Manual override and call of 4 scenes via conventional 230 V double push buttons. Two connected SMARTDRIVER x8 TW ELC for a uniform roomwise light control.



SYMBILOGIC FOR ENERGY-EFFICIENT HUMAN CENTRIC LIGHTING



Example room 80 - 100 m²

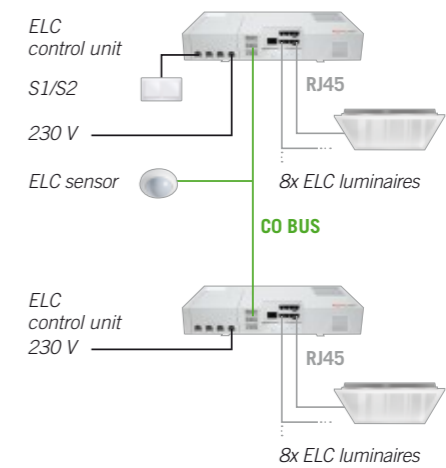
- ELC recessed lights
- ELC sensor
- ELC control unit
- Chair
- Desk

Pre-configured sets		Item no.
4x	CELINE 600 TW MILKY QUADRO SET ELC	EQ10122538
Free configuration		
2x	SMARTDRIVER x8 TW ELC	EC10431036
1x	PD-C 360i/24 ELC	EP10427619
16x	CELINE 600 30W TW MILKY ELC SATELLITE	EQ10122040
2x	Cable Set RJ45 5m TW x8	EC10431203
Accessories		
1x	230 V double push button (from any third-party)	
Optional extensions		
ELC Sensor	PD-C 360i/8 ELC	EP10427602
Downlights	ELSA 68 5W 4K MILKY ON/OFF	E010300011
ELC push button	PUSH BUTTON x8 TW ELC	EC10430930
DALI switching actuator	SW DALI Semi Automation	EP10427480
	SW DALI Full Automation	EP10427473

FIXED LIGHT COLOUR

3000 K / 4000 K

Office with eight workplaces and energy-efficient sensor-controlled presence and daylight-dependent constant light control. Manual override and call of 4 scenes via conventional 230 V double push buttons. Two connected SMARTDRIVER x8 ELC for a uniform roomwise light control system.



Pre-configured sets		Item no.
4x	CELINE 600 4K MILKY QUADRO SET ELC	EQ10122279
Free configuration		
2x	SMARTDRIVER x8 ELC	EC10430763
1x	PD-C 360i/24 ELC	EP10427619
16x	CELINE 600 30W 4K MILKY ELC SATELLITE	EQ10122026
2x	Cable Set RJ45 5m x8	EC10431227
Accessories		
1x	230 V double push button (from any third-party)	
Optional extensions		
ELC Sensor	PD-C 360i/8 ELC	EP10427602
Downlights	ELSA 68 5W 4K MILKY DALI	E010300219
ELC push button	PUSH BUTTON x8 ELC	EC10430923
DALI switching actuator	SW DALI Semi Automation	EP10427480
	SW DALI Full Automation	EP10427473

NETWORKING OF ELC GROUPS

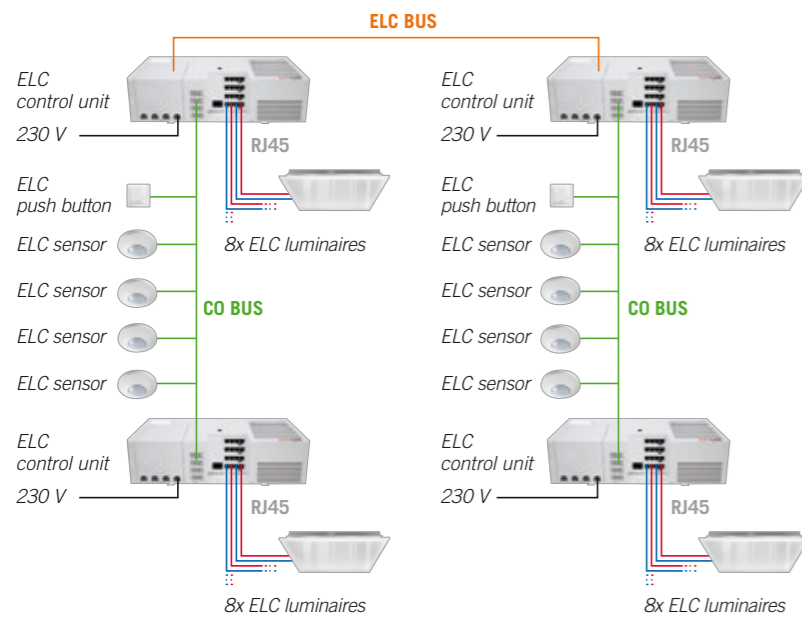
SYMBILOGIC (LIGHT COLOUR: TUNABLE WHITE)

2700 - 6500 K

Office with 16 workplaces and energy-efficient sensor-controlled presence and daylight-dependent adaptive HCL light control (SymbiLogic) in two zones, based on two ELC groups. For intelligent harmonised lighting the groups can simply be connected with one another via the ELC bus by plug-and-play. For example for a demand-driven orientation light with swarm function.

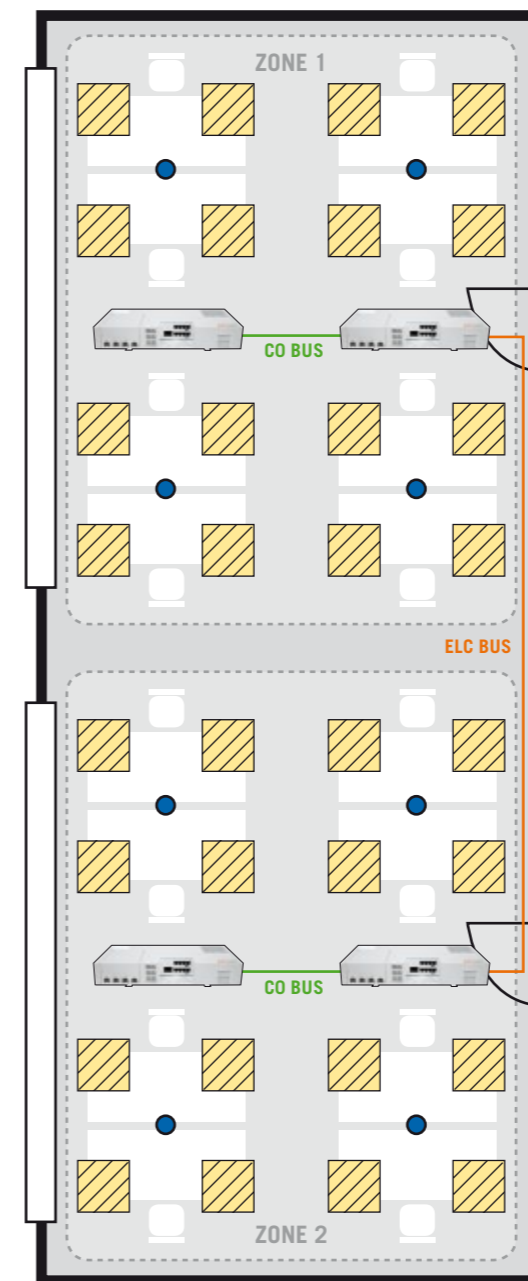
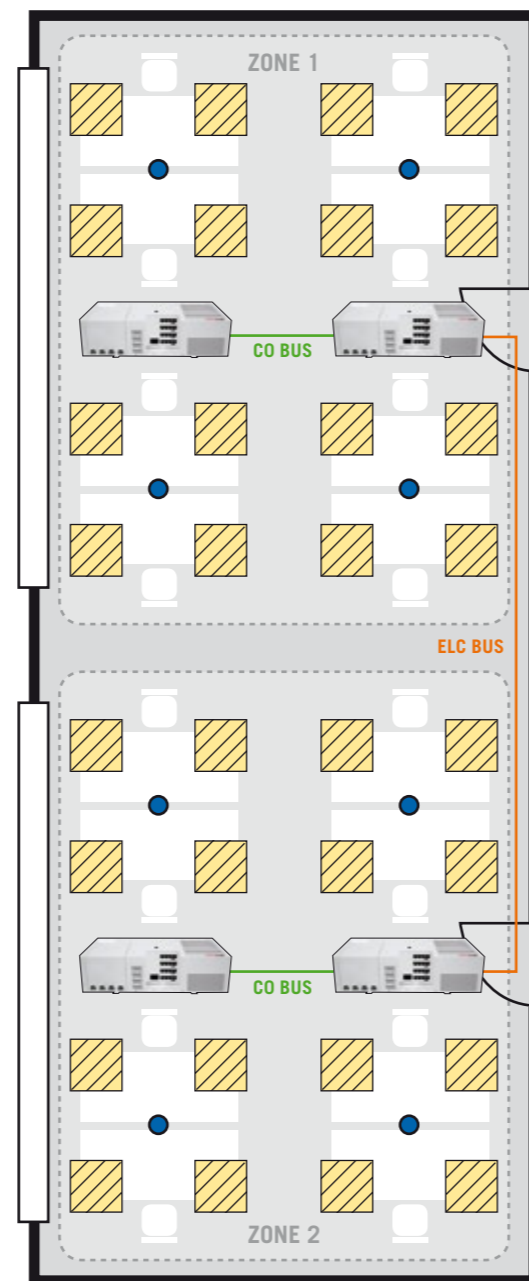
Easy manual override and call of four scenes via two ESYLUX ELC push buttons.

Group and network connected SMARTDRIVER x8 TW ELC for a roomwise light control system in two zones. Fully operational with factory settings and plug-and-play installation.



Pre-configured sets	Item no.
8x CELINE 600 TW MILKY QUADRO SET ELC	EQ10122538
Free configuration	
4x SMARTDRIVER x8 TW ELC (incl. Bus cable 10m ELC)	EC10431036
8x PD-C 360i/8 ELC	EP10427602
32x CELINE 600 30W TW MILKY ELC SATELLITE	EQ10122040
4x Cable Set RJ45 5m TW x8	EC10431203
Accessories	
2x PUSH BUTTON x8 TW ELC	EC10430930
Optional extensions	
ELC Sensor PD-C 360i/24 ELC	EP10427619
Downlights ELSA 68 5W 4K MILKY ON/OFF	E010300011
ELC push button PUSH BUTTON x8 TW ELC	EC10430930
DALI switching actuator SW DALI Semi Automation	EP10427480
SW DALI Full Automation	EP10427473

SYMBILOGIC FOR ENERGY-EFFICIENT HUMAN CENTRIC LIGHTING



Example room 170 - 215 m²

- ELC recessed lights
- ELC sensor
- ELC control unit
- Chair
- Desk

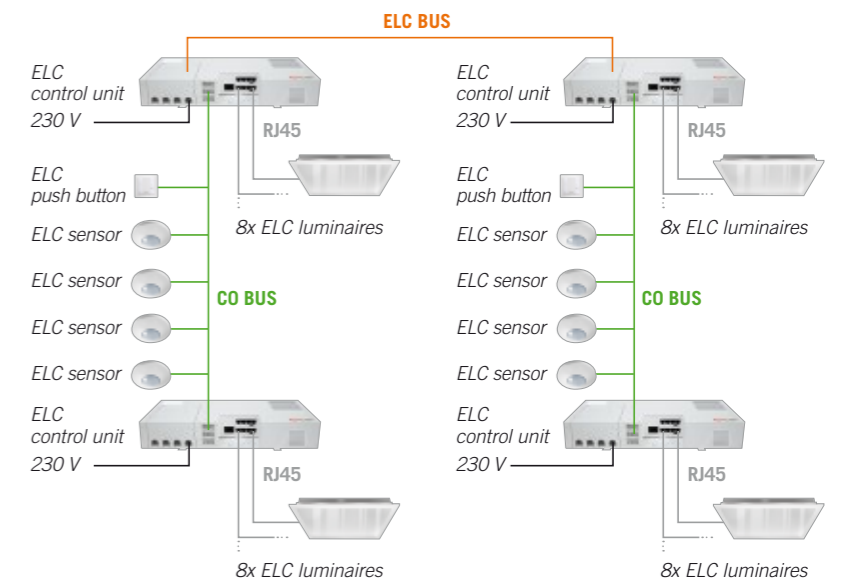
FIXED LIGHT COLOUR

3000 K / 4000 K

Office with 16 workplaces and energy-efficient sensor-controlled presence and daylight-dependent constant light control in two zones, based on two ELC groups. For intelligent harmonised lighting the groups can simply be connected with one another via the ELC bus by plug-and-play. For example for a demand-driven orientation light with swarm function.

Easy manual override and call of four scenes via two ESYLUX ELC push buttons.

Group and network connected SMARTDRIVER x8 ELC for a roomwise light control system on two zones. Fully functional with factory settings and plug-and-play installation.



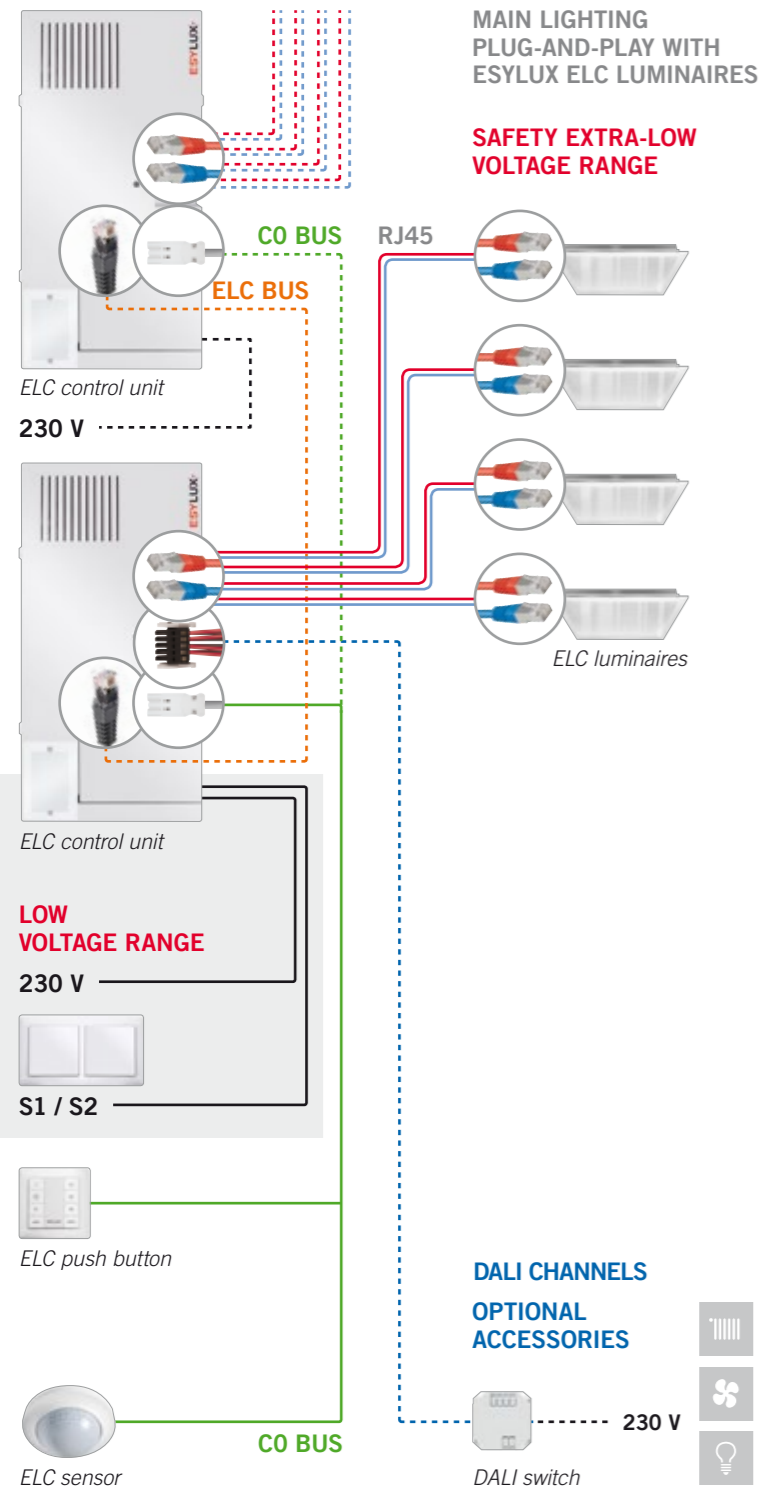
Pre-configured sets	Item no.
8x CELINE 600 4K MILKY QUADRO SET ELC	EQ10122279
Free configuration	
4x SMARTDRIVER x8 ELC (incl. Bus cable 10m ELC)	EC10430763
8x PD-C 360i/8 ELC	EP10427602
32x CELINE 600 30W 4K MILKY ELC SATELLITE	EQ10122026
4x Cable Set RJ45 5m x8	EC10431227
Accessories	
2x PUSH BUTTON x8 ELC	EC10430923
Optional extensions	
ELC Sensor PD-C 360i/24 ELC	EP10427619
Downlights ELSA 68 5W 4K MILKY DALI	E010300219
ELC push button PUSH BUTTON x8 ELC	EC10430923
DALI switching actuator SW DALI Semi Automation	EP10427480
SW DALI Full Automation	EP10427473

ESY INSTALLATION

SYMBILOGIC (LIGHT COLOUR: TUNABLE WHITE)

2700 - 6500 K

SYMBILOGIC FOR ENERGY-EFFICIENT HUMAN CENTRIC LIGHTING



ADVANTAGES OF OUR ELC AUTOMATION SOLUTIONS FOR INTELLIGENT LIGHTING

1. PLUG-AND-PLAY INSTALLATION
2. PLUG-AND-PLAY GROUPING
3. INSTANT SET-UP AND OPERATION BASED ON FACTORY SETTINGS WITHOUT PROGRAMMING

RJ45

- ELC main lighting
- - - Optional extension with additional ELC luminaires
- CO bus: connects the ELC devices within a group (control, sensor, push button)
- - - Optional extension with ELC devices within one group
- - - Optional accessories
- - - ELC bus: enables connection of multiple groups by plug-and-play (SymbiLogic up to 10, otherwise up to 20 ELC control units)
- 230 V mains connection and standard 230 V push button for manual override
- - - 230 V power supply

FIXED LIGHT COLOUR

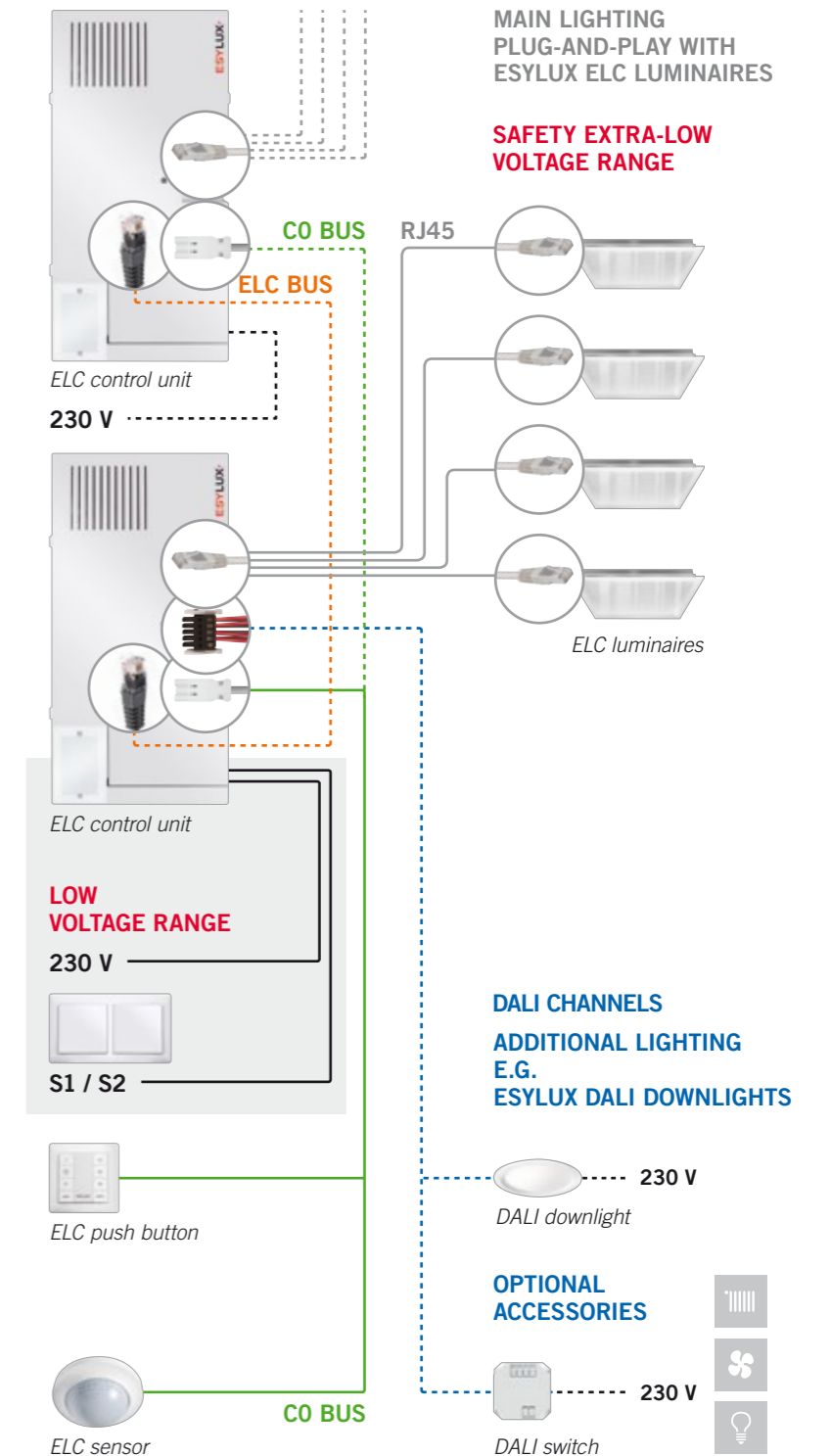
3000 K / 4000 K

ADVANTAGES OF OUR ELC AUTOMATION SOLUTIONS FOR INTELLIGENT LIGHTING

1. PLUG-AND-PLAY INSTALLATION
2. PLUG-AND-PLAY GROUPING
3. INSTANT SET-UP AND OPERATION BASED ON FACTORY SETTINGS WITHOUT PROGRAMMING
4. ADDITIONAL LIGHTING: EASY INTEGRATION OF DALI LUMINAIRES (ALSO THIRD-PARTY)

RJ45

- ELC main lighting
- - - Optional extension with additional ELC luminaires
- CO bus: connects the ELC devices within a group (control, sensor, push button)
- - - Optional extension with ELC devices within one group
- - - Additional DALI lighting and DALI switch actuators e.g. ESYLUX downlights or third-party DALI luminaires
- - - ELC bus: enables connection of multiple groups by plug-and-play (SymbiLogic up to 10, otherwise up to 20 ELC control units)
- 230 V mains connection and standard 230 V push button for manual override
- - - 230 V power supply



CONVENIENT OPERATING OPTIONS



ESYLUX ELC push button for offices, classrooms and patient rooms with intuitive, manual overruling.



Bluetooth control for Android and iOS.



Dim, switch or change the colour of the light with the all-rounder remote control ESY-Pen.

In combination with the ESY-App, the ESY-Pen allows an individual and simple configuration of the system via bluetooth. This allows for the user a convenient and easy operation with a smartphone or tablet.

FACTORY SETTINGS SMARTDRIVER

Operation mode	AUTO ON
Level of brightness	500 lx
Lighting switch-off delay time	5 min
Orientation light (brightness)	10 %
Orientation light (duration)	0 min
Switch-off warning channel 1 - 4	60 s
Channel 1 (CH1)	Map DALI 1
Channel 2 (CH2)	Map DALI 2
Channel 3 (CH3)	Map DALI 3
Channel 4 (CH4)	Map DALI 4
DALI switch (DS1)	Activated, Auto ON
Switch-off delay time (DS1)	30 min
DALI switch (DS2)	Activated, Active ON
Switch-off delay time (DS1)	30 min

SIMPLE SCALING

		Max. ELC luminaires per ELC control unit	Max. ELC control units per group	Max. ELC luminaires per group	Max. groups per ELC bus	Max. ELC luminaires (total)
SymbiLogic (2700 - 6500 K TW)	SMARTDRIVER x4 TW ELC	4	10	40	10	400
	SMARTDRIVER x6 TW ELC	6	6	36	10	360
	SMARTDRIVER x8 TW ELC	8	5	40	10	400
Fixed light colour (3000 K / 4000 K)	SMARTDRIVER x4 ELC	4	20	80	10	800
	SMARTDRIVER x8 ELC	8	10	80	10	800

PRODUCT LIST

Product group / product name	Item number	Colour temperature	Luminous Flux (light)	Rated output	Luminous efficacy	Unified Glare Rating	230 V (ON/OFF)	1 - 10 V	DALI	ELC	BT	KNX	Sensor	New product
CELINE PANEL LIGHTS														
CELINE / 2700 - 6500 K (Tunable White) / 1200 x 300 mm / 30 W														
CELINE 1200x300 30W TW CRYSTAL ELC PD SATELLITE	EQ10126703	2700 - 6500 K	4060 lm	32 W	126 lm/W	≤ 19				•				★
CELINE 1200x300 30W TW CRYSTAL ELC SATELLITE	EQ10126567	2700 - 6500 K	4060 lm	32 W	126 lm/W	≤ 19				•		•		★
CELINE 1200x300 30W TW MILKY ELC PD SATELLITE	EQ10126260	2700 - 6500 K	3420 lm	32 W	106 lm/W	≤ 19				•				★
CELINE 1200x300 30W TW MILKY ELC SATELLITE	EQ10126123	2700 - 6500 K	3420 lm	32 W	106 lm/W	≤ 19				•		•		★
CELINE / 2700 - 6500 K (Tunable White) / 600 x 600 mm / 30 W														
CELINE 600 30W EL TW CRYSTAL ELC SATELLITE	EQ10124655	2700 - 6500 K	4590 lm	32 W	143 lm/W	≤ 19				•				
CELINE 600 30W EL TW MILKY ELC SATELLITE	EQ10124686	2700 - 6500 K	4370 lm	32 W	136 lm/W	≤ 19				•				
CELINE 600 30W TW CRYSTAL ELC SATELLITE	EQ10122101	2700 - 6500 K	4160 lm	32 W	130 lm/W	≤ 19				•				
CELINE 600 IP54 30W TW CRYSTAL ELC SATELLITE	EQ10129742	2700 - 6500 K	4160 lm	32 W	130 lm/W	≤ 19								
CELINE 600 CRI90 30W TW CRYSTAL ELC SATELLITE	EQ10132148	2700 - 6500 K	3750 lm	32 W	117 lm/W	≤ 19								
CELINE 600 IP54 CRI90 30W TW CRYSTAL ELC SATELLITE	EQ10129940	2700 - 6500 K	3750 lm	32 W	117 lm/W	≤ 19								
CELINE 600 30W TW MILKY 22 ELC SATELLITE	EQ10130045	2700 - 6500 K	3640 lm	32 W	113 lm/W	≤ 22								
CELINE 600 IP54 30W TW MILKY ELC SATELLITE	EQ10129735	2700 - 6500 K	3640 lm	32 W	113 lm/W	≤ 19								
CELINE 600 CRI90 30W TW MILKY ELC SATELLITE	EQ10129834	2700 - 6500 K	3570 lm	32 W	111 lm/W	≤ 19				•				★
CELINE 600 IP54 CRI90 30W TW MILKY ELC SATELLITE	EQ10129926	2700 - 6500 K	3570 lm	32 W	111 lm/W	≤ 19				•				★
CELINE 600 30W TW MILKY ELC SATELLITE	EQ10122040	2700 - 6500 K	3460 lm	32 W	108 lm/W	≤ 19				•				
CELINE / 3000 K / 1200 x 300 mm / 30 W														
CELINE 1200x300 30W 3K CRYSTAL ELC PD SATELLITE	EQ10126666	3000 K	3840 lm	32 W	120 lm/W	≤ 19				•				★
CELINE 1200x300 30W 3K CRYSTAL ELC SATELLITE	EQ10126529	3000 K	3840 lm	32 W	120 lm/W	≤ 19				•		•		★
CELINE 1200x300 30W 3K MILKY ELC PD SATELLITE	EQ10126222	3000 K	3290 lm	32 W	102 lm/W	≤ 19				•				★
CELINE 1200x300 30W 3K MILKY ELC SATELLITE	EQ10126086	3000 K	3290 lm	32 W	102 lm/W	≤ 19				•		•		★
CELINE / 3000 K / 1200 x 300 mm / 60 W														
CELINE 1200x300 60W 3K CRYSTAL ELC PD SATELLITE	EQ10127380	3000 K	6440 lm	64 W	100 lm/W	≤ 19				•				★
CELINE 1200x300 60W 3K CRYSTAL ELC SATELLITE	EQ10127243	3000 K	6440 lm	64 W	100 lm/W	≤ 19				•		•		★
CELINE 1200x300 60W 3K MILKY ELC PD SATELLITE	EQ10127106	3000 K	6400 lm	64 W	100 lm/W	≤ 19				•				★
CELINE 1200x300 60W 3K MILKY ELC SATELLITE	EQ10126963	3000 K	6400 lm	64 W	100 lm/W	≤ 19				•		•		★
CELINE / 3000 K / 600 x 600 mm / 30 W														
CELINE 600 30W EL 3K CRYSTAL ELC SATELLITE	EQ10124662	3000 K	4130 lm	32 W	129 lm/W	≤ 19				•				
CELINE 600 30W 3K CRYSTAL ELC SATELLITE	EQ10122064	3000 K	3750 lm	32 W	117 lm/W	≤ 19				•				
CELINE 600 IP54 30W 3K CRYSTAL ELC SATELLITE	EQ10129629	3000 K	3750 lm	32 W	117 lm/W	≤ 19								
CELINE 600 30W 3K MILKY 22 ELC SATELLITE	EQ10130007	3000 K	3440 lm	32 W	107 lm/W	≤ 22				•				★
CELINE 600 30W 3K MILKY ELC SATELLITE	EQ10122002	3000 K	3270 lm	32 W	102 lm/W	≤ 19				•				
CELINE 600 IP54 30W 3K MILKY ELC SATELLITE	EQ10129803	3000 K	3270 lm	32 W	102 lm/W	≤ 19				•				
CELINE / 4000 K / 1200 x 300 mm / 30 W														
CELINE 1200x300 30W 4K CRYSTAL ELC PD SATELLITE	EQ10126673	4000 K	4060 lm	32 W	126 lm/W	≤ 19				•				★

PRODUCT LIST

Product group / product name	Item number	Colour temperature	Luminous Flux (light)	Rated output	Luminous efficacy	Unified Glare Rating	230 V (ON/OFF)	1 - 10 V	DALI	ELC	BT	KNX	Sensor	New product
CELINE 1200x300 30W 4K CRYSTAL ELC SATELLITE	EQ10126536	4000 K	4060 lm	32 W	126 lm/W	≤ 19				•			•	★
CELINE 1200x300 30W 4K MILKY ELC PD SATELLITE	EQ10126239	4000 K	3420 lm	32 W	106 lm/W	≤ 19				•				★
CELINE 1200x300 30W 4K MILKY ELC SATELLITE	EQ10126093	4000 K	3420 lm	32 W	106 lm/W	≤ 19				•			•	★
CELINE / 4000 K / 1200 x 300 mm / 60 W														
CELINE 1200x300 60W 4K CRYSTAL ELC PD SATELLITE	EQ10127397	4000 K	6840 lm	64 W	106 lm/W	≤ 19				•				★
CELINE 1200x300 60W 4K CRYSTAL ELC SATELLITE	EQ10127250	4000 K	6840 lm	64 W	106 lm/W	≤ 19				•			•	★
CELINE 1200x300 60W 4K MILKY ELC PD SATELLITE	EQ10127113	4000 K	6460 lm	64 W	100 lm/W	≤ 19				•				★
CELINE 1200x300 60W 4K MILKY ELC SATELLITE	EQ10126970	4000 K	6460 lm	64 W	100 lm/W	≤ 19				•			•	★
CELINE / 4000 K / 600 x 600 mm / 30 W														
CELINE 600 30W EL 4K CRYSTAL ELC SATELLITE	EQ10124679	4000 K	4590 lm	32 W	143 lm/W	≤ 19				•				
CELINE 600 30W EL 4K MILKY ELC SATELLITE	EQ10124709	4000 K	4370 lm	32 W	136 lm/W	≤ 19								
CELINE 600 30W 4K CRYSTAL ELC SATELLITE	EQ10122088	4000 K	4160 lm	32 W	130 lm/W	≤ 19								
CELINE 600 IP54 30W 4K CRYSTAL ELC SATELLITE	EQ10129780	4000 K	4120 lm	32 W	128 lm/W	≤ 19								
CELINE 600 CRI90 30W 4K CRYSTAL ELC SATELLITE	EQ10132117	4000 K	3750 lm	32 W	117 lm/W	≤ 19								
CELINE 600 IP54 CRI90 30W 4K CRYSTAL ELC SATELLITE	EQ10132087	4000 K	3750 lm	32 W	117 lm/W	≤ 19								
CELINE 600 30W 4K MILKY 22 ELC SATELLITE	EQ10130021	4000 K	3640 lm	32 W	113 lm/W	≤ 22								
CELINE 600 CRI90 30W 4K MILKY ELC SATELLITE	EQ10124631	4000 K	3570 lm	32 W	111 lm/W	≤ 19				•				
CELINE 600 IP54 CRI90 30W 4K MILKY ELC SATELLITE	EQ10124624	4000 K	3570 lm	32 W	111 lm/W	≤ 19				•				
CELINE 600 30W 4K MILKY ELC SATELLITE	EQ10122026	4000 K	3460 lm	32 W	108 lm/W	≤ 19				•				★
CELINE 600 IP54 30W 4K MILKY ELC SATELLITE	EQ10129766	4000 K	3460 lm	32 W	108 lm/W	≤ 19				•				

NOVA PANEL LIGHTS

NOVA / 2700 - 6500 K (Tunable White) / 600 x 600 mm														
NOVA 600 30W TW CRYSTAL ELC SLAVE	EQ10112683	2700 - 6500 K	3970 lm	32 W	124 lm/W	≤ 19				•				
NOVA 600 30W TW MILKY ELC SLAVE	EQ10112836	2700 - 6500 K	3400 lm	32 W	106 lm/W	≤ 19				•				
NOVA / 3000 K / 600 x 600 mm														
NOVA 600 30W 3K CRYSTAL ELC SLAVE	EQ10112140	3000 K	3670 lm	32 W	114 lm/W	≤ 19				•				
NOVA 600 30W 3K MILKY ELC SLAVE	EQ10112324	3000 K	3240 lm	32 W	101 lm/W	≤ 19				•				
NOVA / 4000 K / 600 x 600 mm														
NOVA 600 30W 4K CRYSTAL ELC SLAVE	EQ10112386	4000 K	3970 lm	32 W	124 lm/W	≤ 19				•				
NOVA 600 30W 4K MILKY ELC SLAVE	EQ10112539	4000 K	3400 lm	32 W	106 lm/W	≤ 19				•				

PRODUCT LIST

Product group / product name	Item number	Number of light channels	Number of light groups	Number of inputs	Number of HLK-channels	Number of scenes	Orientation light	Constant lighting control	Daytime depending orientation light	HCL-lighting control	Number of outputs luminaires ELC	Number of outputs luminaires DALI	BT	KNX	ELC	New product
SMARTDRIVER																
2700 - 6500 K (Tunable White)																
SMARTDRIVER x4 TW ELC	EC10430572	2	10	2	2	4	10 - 50 %	•	•	•	4	4			•	
SMARTDRIVER x4 TW ELC KNX	EC10430589	2	10	2	2	4	10 - 50 %	•	•	•	4	4		•	•	
SMARTDRIVER x4 TW ELC BT	EC10430596	2	10	2	2	4	10 - 50 %	•	•	•	4	4	•		•	
SMARTDRIVER x6 TW ELC	EC10431005	2	10	2	2	4	10 - 50 %	•	•	•	6	4			•	★
SMARTDRIVER x6 TW ELC BT	EC10431012	2	10	2	2	4	10 - 50 %	•	•	•	6	4	•		•	★
SMARTDRIVER x6 TW ELC KNX	EC10431029	2	10	2	2	4	10 - 50 %	•	•	•	6	4		•	•	★
SMARTDRIVER x8 TW ELC	EC10431036	2	10	2	2	4	10 - 50 %	•	•	•	8	4			•	★
SMARTDRIVER x8 TW ELC BT	EC10431043	2	10	2	2	4	10 - 50 %	•	•	•	8	4	•		•	★
SMARTDRIVER x8 TW ELC KNX	EC10431050	2	10	2	2	4	10 - 50 %	•	•	•	8	4		•	•	★
3000 K / 4000 K																
SMARTDRIVER x4 ELC	EC10430664	4	10	2	2	4	10 - 50 %	•	•		4	4			•	
SMARTDRIVER x4 ELC KNX	EC10430671	4	10	2	2	4	10 - 50 %	•	•		4	4		•	•	
SMARTDRIVER x4 ELC BT	EC10430688	4	10	2	2	4	10 - 50 %	•	•		4	4	•		•	
SMARTDRIVER x8 ELC	EC10430763	4	10	2	2	4	10 - 50 %	•	•		8	4			•	★
SMARTDRIVER x8 ELC KNX	EC10430770	4	10	2	2	4	10 - 50 %	•	•		8	4		•	•	★
SMARTDRIVER x8 ELC BT	EC10430787	4	10	2	2	4	10 - 50 %	•	•		8	4	•		•	★

Product group / product name	Item number	Detection angle	Number of light channels	Function	Constant lighting control	Push button input	Orientation light	Number of HLK-channels	Function	Push button input	230 V (ON/OFF)	1 - 10 V	DALI	ELC	KNX	UC / 12 - 36 V	New product
SENSORS																	
Presence detectors / Ceiling mounting / 8 m																	
PD-C 360i/8 ELC	EP10427602	360 °	4	Switching/Dimming	•		10 - 50 %	2	Switching								•
Presence detectors / Ceiling mounting / 24 m																	
PD-C 360i/24 ELC	EP10427619	360 °	4	Switching/Dimming	•		10 - 50 %	2	Switching								•

ESYLUX Deutschland GmbH

An der Strusbek 40
22926 Ahrensburg | Deutschland
t: +49 4102 489 0
info@esylux.de
www.esylux.de

ESYLUX Belgium nv

Vlamstraat 7 bus 2
9450 Denderhoutem-Haaltert | België
t: +32 53 850 570
info@esylux.be
www.esylux.be

ESYLUX Danmark ApS

Kokholm 3A
6000 Kolding | Danmark
t: +45 76 72 90 90
info@esylux.dk
www.esylux.dk

ESYLUX France SARL

5 rue de Castiglione
75001 Paris | France
t: +33 1 5345 10 55
info@esylux.fr
www.esylux.fr

ESYLUX Nederland B.V.

Leeghwaterstraat 35
3364 AE Slidrecht | Nederland
t: +31 184 647 000
info@esylux.nl
www.esylux.nl

ESYLUX Norge AS

Strandveien 35
1366 Lysaker | Norge
t: +47 2255 52 00
info@esylux.no
www.esylux.no

ESYLUX Österreich GmbH

Hafenstraße 2A
4020 Linz | Österreich
t: +43 732 788 188 0
info@esylux.at
www.esylux.at

ESYLUX Portugal, Lda.

Lagoas Park Edifício 8, Piso 1
2740-244 Porto Salvo | Portugal
t: +351 214 236 170
comercial@esylux.pt
www.esylux.pt

ESYLUX Russia

ООО "ИЗИЛЮКС РУ"
ул. Малая Калужская
д. 15, стр. 17 | эт. 3, оф. 541
119071 г. Москва | Россия
t: +7 495 782 72 40
info@esylux.ru
www.esylux.ru

ESYLUX Suomi Oy

Äyritie 12 B
01510 Vantaa | Suomi
t: +358 20 779 26 60
info@esylux.fi
www.esylux.fi

ESYLUX Sverige AB

Färögatan 33
164 51 Kista | Sverige
t: +46 470 853 00
info@esylux.se
www.esylux.se

ESYLUX Swiss AG

Steinackerstrasse 29
Postfach
8302 Kloten | Schweiz
t: +41 44 808 61 00
info@esylux.ch
www.esylux.ch

ESYLUX Asia Ltd.

No. 4 32/F Saxon Tower
7 Cheung Shun Street
Lai Chi Kok | Kowloon | Hong Kong
t: +852 3107 89 12
sales@esylux.com.hk
www.esylux.com.hk

ESYLUX GmbH (Export)

An der Strusbek 40
22926 Ahrensburg | Germany
t: +49 4102 888 80 0
sales@esylux.com
www.esylux.com

